

TRIPLE GLASS PENDANTS



This energy efficient pendant luminaire is perfect for use in larger reception areas. Designed around the latest energy efficient T5 circular lamps and available as 3x55W or 3x40W configuration as standard, with lower wattages and dimmable versions on request. Also available with additional high power LED central downlight module with integral EM pack for non-maintained operation.

Finished in tough textured silver polyester powder as standard, with a range of other colours available on request. Optional accessories include perforated lamp shield which can be supplied with or without coloured gel filter for added aesthetic appeal. Twin lamp version also available.

TRIPLE GLASS PENDANT

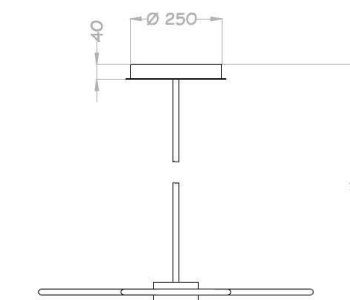


Sovereign® Triple Glass Pendant

Cat.No	Lamp Type	Wattage	Light Output
99922.X200	T5 2GX13	3x55W	12600 lm
99922.X201	T5 2GX13	3x55W+LED	12600 lm
99922.X203	T5 2GX13	3x40W	9900 lm
99922.X204	T5 2GX13	3x40W+LED	9900 lm

950.3515 Set of 3 perforated collars

Other lamp options are also available.



Optional Perforated Collar

